

LiFePO₄ Charger

- LiFePO₄ battery charger to a rated voltage of 12.8V and capacity ≥ 70Ah
- For charging working batteries cyclically and buffer
- Indication of the state of charge by means of LEDs
- Short circuit protection
- Overload protection current
- Overcharge protection
- It does not require supervision
- Supplied with connectors cables



Charger for LiFePO₄ (LFP) batteries with a rated voltage of 12.8V. The charging process takes place in two stages of the CC-CV, in the first stage the charger charges with DC current with a current limitation equal to the rated current of the charger. Then, when the battery reaches the appropriate voltage level, charging begins with constant voltage. The charger automatically ends the charging process.

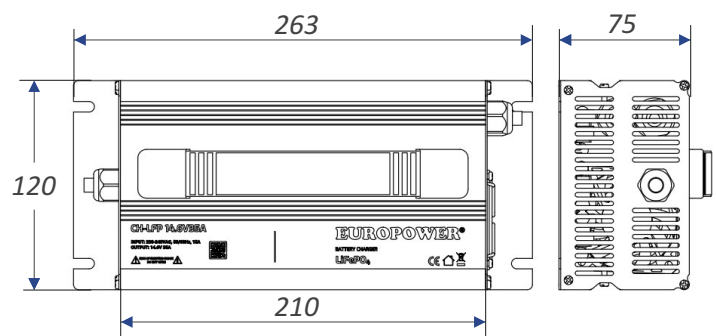
The charger is characterized by high durability, ergonomic housing and quality of workmanship. Additionally, it is equipped with protection against overcharging, short circuit and overcurrent. This ensures that the charger works properly and safely.

Charging cables terminated with ring-type M8 connector.

Specifications

Model	14.6V 35A
Type of charger	LiFePO ₄
Supply voltage	200-260 [V AC]
Power frequency	50-60 [Hz]
Charging voltage	14.6 [V]
Power	511 [W]
Max. charge current	35 [A]
Final charging current	3.5 [A]
Working temperature	0 - 45 [°C]
Storage temperature	-20 - 85 [°C]
Weight	1,5 kg
Dimensions LxWxH [mm]	263x120x75 [mm]
Cross-section of charging cables	2x 10 [mm ²]
Length of charging cables	ok. 150 [cm]
Warranty	12 months

Dimensions [mm]



Charge Characteristics

